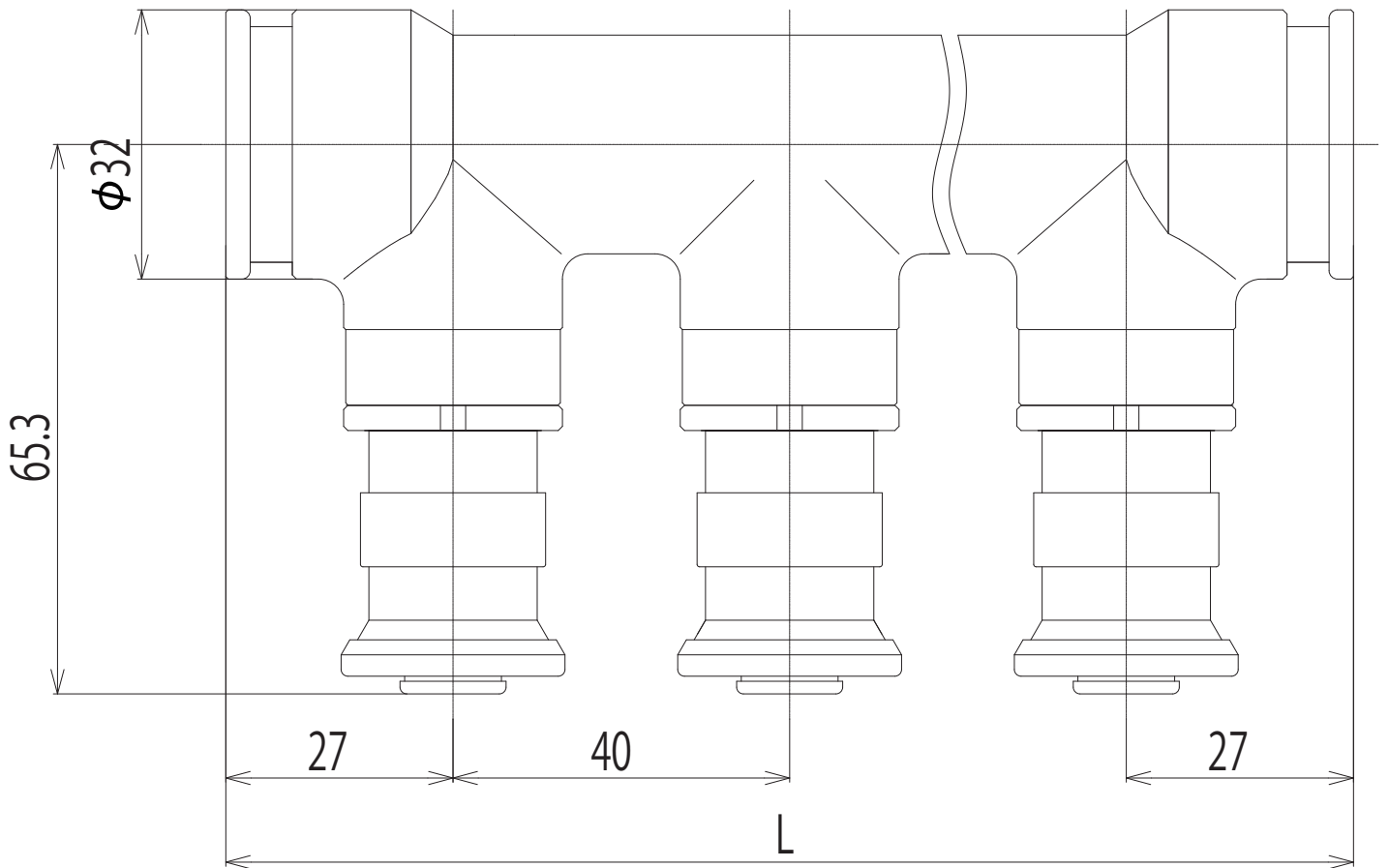


GDSHT20-2 • GDSHT20-3  
 GDSHT20-4 • GDSHT20-5  
 GDSHT20-6



| 品番        | 分岐数 | L   |
|-----------|-----|-----|
| GDSHT20-2 | 2P  | 94  |
| GDSHT20-3 | 3P  | 134 |
| GDSHT20-4 | 4P  | 174 |
| GDSHT20-5 | 5P  | 214 |
| GDSHT20-6 | 6P  | 254 |