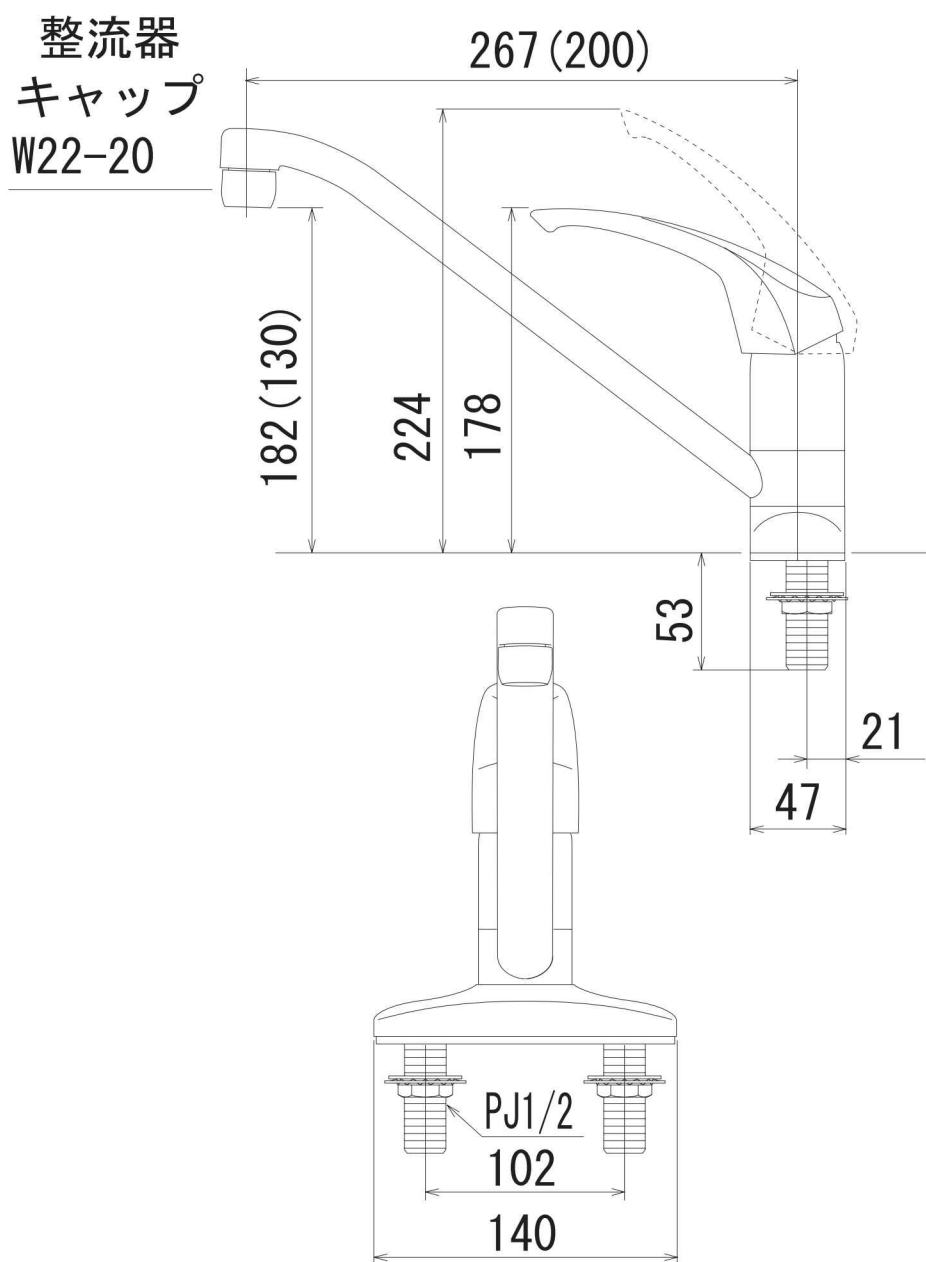


KM558(G)



()内はR20