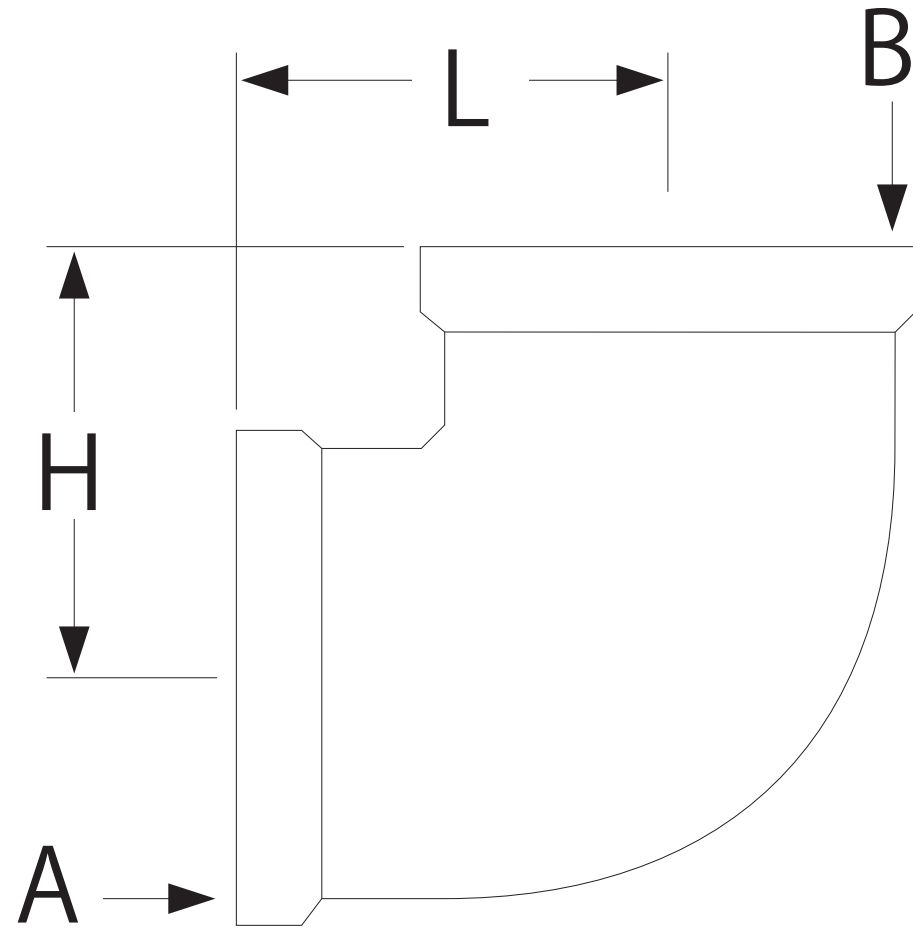


Z714-1



	L	H	A	B
1	29	30	Rc3/4	Rc1/2